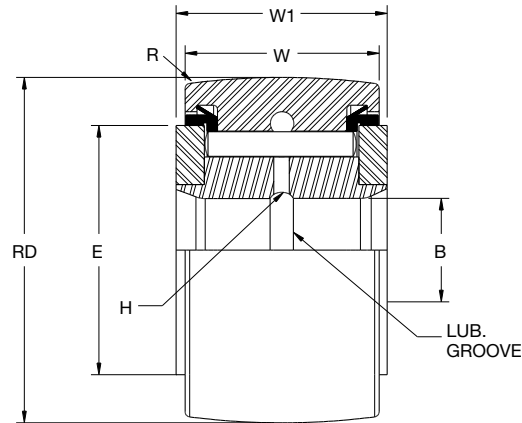


# Yoke Roller

## CCYR-S SERIES

Crowned O.D., Sealed • Measurements in Inches



Axis Part Number	Roller Dia.	Roller Width	Bore Nominal	Tolerance	Width Over End Plates	Dia. of End Plates	Oil Hole Dia.	Min Boss Dia.	Push Fit Shaft Dia.	Drive Fit Shaft Dia.	Tolerance	Press Fit Shaft Dia.	Tolerance	Max Static Capacity	Basic Dynamic Capacity	Limiting Speed	Crown Radius
	+0.000/-0.001	+0.000/-0.005			+0.0002/-0.010				Nominal								
CCYR 3/4S	0.750	0.500	0.2500	+0.0002/-0.0004	0.5625	39/64	3/32	1/2	0.2495	0.2501	+0.0002/-0.0002	0.2503	+0.0002/-0.0002	4130	1660	3400	10
CCYR 7/8S	0.875	0.500	0.2500	+0.0002/-0.0004	0.5625	39/64	3/32	1/2	0.2495	0.2501	+0.0002/-0.0002	0.2503	+0.0002/-0.0002	4130	1660	3400	10
CCYR 1S	1.000	0.625	0.3125	+0.0002/-0.0004	0.6875	25/32	3/32	41/64	0.3120	0.3126	+0.0002/-0.0002	0.3128	+0.0002/-0.0002	6120	2225	2900	12
CCYR 1 1/8S	1.125	0.625	0.3125	+0.0002/-0.0004	0.6875	25/32	3/32	41/64	0.3120	0.3126	+0.0002/-0.0002	0.3128	+0.0002/-0.0002	6120	2225	2900	12
CCYR 1 1/4S	1.250	0.750	0.3750	+0.0002/-0.0004	0.8125	63/64	3/32	49/64	0.3745	0.3751	+0.0002/-0.0002	0.3753	+0.0002/-0.0002	8500	3930	2400	14
CCYR 1 3/8S	1.375	0.750	0.3750	+0.0002/-0.0004	0.8125	63/64	3/32	49/64	0.3745	0.3751	+0.0002/-0.0002	0.3753	+0.0002/-0.0002	8500	3930	2400	14
CCYR 1 1/2S	1.500	0.875	0.4375	+0.0002/-0.0004	0.9375	1 3/32	3/32	57/64	0.4370	0.4376	+0.0002/-0.0002	0.4378	+0.0002/-0.0002	11280	4840	2000	20
CCYR 1 5/8S	1.625	0.875	0.4375	+0.0002/-0.0004	0.9375	1 3/32	3/32	57/64	0.4370	0.4376	+0.0002/-0.0002	0.4378	+0.0002/-0.0002	11280	4840	2000	20
CCYR 1 3/4S	1.750	1.000	0.5000	+0.0002/-0.0004	1.0625	1 1/4	3/32	1 3/64	0.4995	0.5001	+0.0002/-0.0002	0.5005	+0.0002/-0.0002	15840	6385	1700	20
CCYR 1 7/8S	1.875	1.000	0.5000	+0.0002/-0.0004	1.0625	1 1/4	3/32	1 3/64	0.4995	0.5001	+0.0002/-0.0002	0.5005	+0.0002/-0.0002	15840	6385	1700	20
CCYR 2S	2.000	1.250	0.6250	+0.0002/-0.0004	1.3125	1 13/32	3/32	1 13/64	0.6245	0.6251	+0.0002/-0.0002	0.6255	+0.0002/-0.0002	21140	8090	1500	24
CCYR 2 1/4S	2.250	1.250	0.6250	+0.0002/-0.0004	1.3125	1 13/32	3/32	1 13/64	0.6245	0.6251	+0.0002/-0.0002	0.6255	+0.0002/-0.0002	21140	8090	1500	24
CCYR 2 1/2S	2.500	1.500	0.7500	+0.0002/-0.0004	1.5625	1 11/16	1/8	1 5/16	0.7495	0.7501	+0.0002/-0.0002	0.7505	+0.0002/-0.0002	32900	11720	1100	30
CCYR 2 3/4S	2.750	1.500	0.7500	+0.0002/-0.0004	1.5625	1 11/16	1/8	1 5/16	0.7495	0.7501	+0.0002/-0.0002	0.7505	+0.0002/-0.0002	32900	11720	1100	30
CCYR 3S	3.000	1.750	1.0000	+0.0001/-0.0005	1.8125	2 1/8	1/8	1 3/4	0.9994	1.0002	+0.0002/-0.0003	1.0006	+0.0002/-0.0003	49820	15720	850	30
CCYR 3 1/4S	3.250	1.750	1.0000	+0.0001/-0.0005	1.8125	2 1/8	1/8	1 3/4	0.9994	1.0002	+0.0002/-0.0003	1.0006	+0.0002/-0.0003	49820	15720	850	30
CCYR 3 1/2S	3.500	2.000	1.1250	+0.0001/-0.0005	2.0625	2 7/16	1/8	1 59/64	1.1244	1.1252	+0.0002/-0.0003	1.1256	+0.0002/-0.0003	63250	22800	800	30
CCYR 4S	4.000	2.250	1.2500	+0.0001/-0.0005	2.3125	2 51/64	1/8	2 9/32	1.2494	1.2502	+0.0002/-0.0003	1.2506	+0.0002/-0.0003	89540	29985	700	30
CCYR 5S	5.000	2.750	1.7500	+0.0001/-0.0005	2.8750	3 9/16	3/16	2 7/8	1.7494	1.7502	+0.0002/-0.0003	1.7506	+0.0002/-0.0003	135900	46575	650	48
CCYR 6S	6.000	3.250	2.2500	+0.0001/-0.0005	3.3750	4 15/32	3/16	3 3/8	2.2494	2.2502	+0.0002/-0.0003	2.2506	+0.0002/-0.0003	160900	60000	600	56
CCYR 7S	7.000	3.750	2.7500	+0.0001/-0.0005	3.8750	5 3/16	3/16	3 7/8	2.7494	2.7502	+0.0002/-0.0003	2.7506	+0.0002/-0.0003	213860	75380	500	60