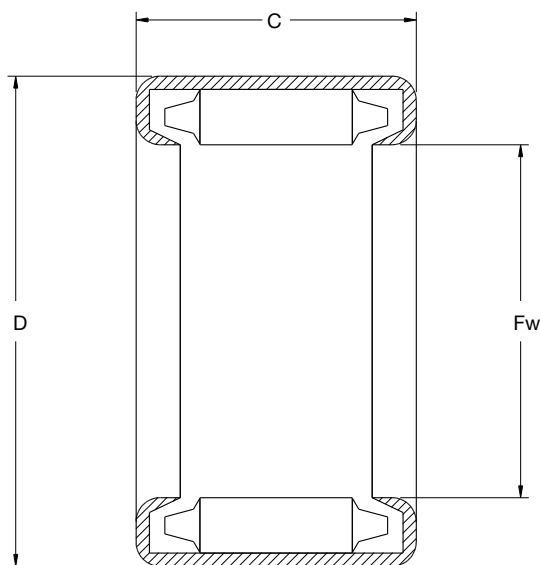


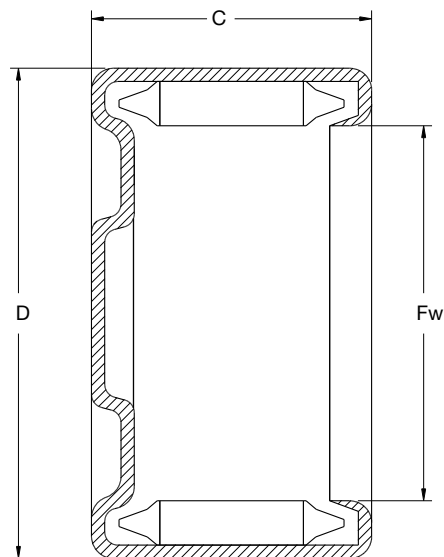
Needle Roller Bearings

B, BH...M, MH SERIES

Drawn Cup Full Complement



B BH



M MH

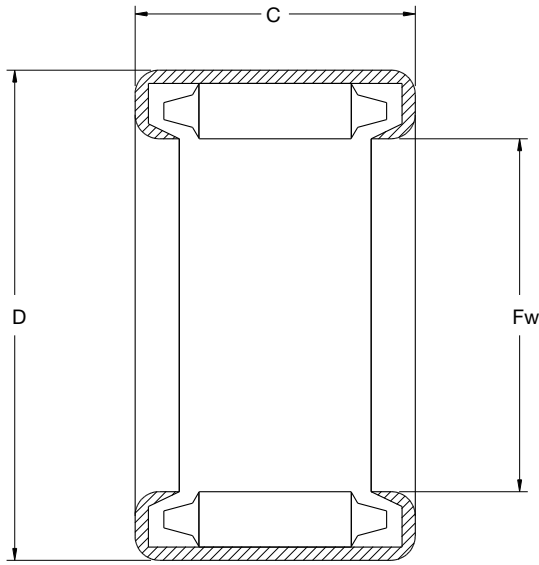
Bore	Bearing No.	Fw		D		C		Basic Load Rating		Limiting Speed RPM	Closed End
		inches	mm	inches	mm	inches	mm	Dy- namic lbs.	Static lbs.		
1/4	B-44	0.2500	6.35	0.4375	11.11	0.2500	6.35	127	119	10000	M-441
	B-45	0.2500	6.35	0.4375	11.11	0.3118	7.92	173	177	10000	M-451
	B-47	0.2500	6.35	0.4375	11.11	0.4382	11.13	272	317	10000	M-471
3/16	B-55	0.3125	7.94	0.5000	12.70	0.3118	7.92	198	221	8300	M-551
	B-56	0.3125	7.94	0.5000	12.70	0.3750	9.52	256	308	8300	
	B-57	0.3125	7.94	0.5000	12.70	0.4382	11.13	312	398	8300	M-571
	B-59	0.3125	7.94	0.5000	12.70	0.5618	14.27	416	573	8300	
	BH-57	0.3125	7.94	0.5625	14.29	0.4382	11.13	344	357	8300	
BH-59	0.3125	7.94	0.5625	14.29	0.5618	14.27	468	526	8300		
3/8	B-65	0.3750	9.52	0.5625	14.29	0.3118	7.92	221	265	7100	M-651
	B-66	0.3750	9.52	0.5625	14.29	0.3750	9.52	288	371	7100	M-661
	B-67	0.3750	9.52	0.5625	14.29	0.4382	11.13	348	477	7100	
	B-68	0.3750	9.52	0.5625	14.29	0.5000	12.70	407	582	7100	M-681
	B-69	0.3750	9.52	0.5625	14.29	0.5618	14.27	465	690	7100	
	B-610	0.3750	9.52	0.5625	14.29	0.6250	15.88	519	794	7100	M-6101
	BH-68	0.3750	9.52	0.6250	15.88	0.5000	12.70	461	535	7100	
7/16	B-76	0.4375	11.11	0.6250	15.88	0.3750	9.52	312	434	6000	
	B-77	0.4375	11.11	0.6250	15.88	0.4382	11.13	382	558	6000	
	B-78	0.4375	11.11	0.6250	15.88	0.5000	12.70	445	681	6000	M-781
	B-710	0.4375	11.11	0.6250	15.88	0.6250	15.88	566	928	6000	
BH-78	0.4375	11.11	0.6875	17.46	0.5000	12.70	508	625	8500		
1/2	B-85	0.5000	12.70	0.6875	17.46	0.3118	7.92	261	355	5300	
	B-86	0.5000	12.70	0.6875	17.46	0.3750	9.52	337	495	5300	M-861
	B-87	0.5000	12.70	0.6875	17.46	0.4382	11.13	411	638	5300	M-871
	B-88	0.5000	12.70	0.6875	17.46	0.5000	12.70	479	778	5300	M-881
	B-810	0.5000	12.70	0.6875	17.46	0.6250	15.88	611	1061	5300	M-8101
	B-812	0.5000	12.70	0.6875	17.46	0.7500	19.05	733	1344	5300	M-8121
	BH-87	0.5000	12.70	0.7500	19.05	0.4382	11.13	463	573	7500	
	BH-88	0.5000	12.70	0.7500	19.05	0.5000	12.70	551	715	7500	
	BH-810	0.5000	12.70	0.7500	19.05	0.6250	15.88	715	998	7500	
	BH-812	0.5000	12.70	0.7500	19.05	0.7500	19.05	865	1279	7500	
9/16	B-95	0.5625	14.29	0.7500	19.05	0.3118	7.92	279	400	5000	M-951
	B-96	0.5625	14.29	0.7500	19.05	0.3750	9.52	368	557	5000	
	B-97	0.5625	14.29	0.7500	19.05	0.4382	11.13	438	717	5000	
	B-98	0.5625	14.29	0.7500	19.05	0.5000	12.70	513	877	5000	
	B-910	0.5625	14.29	0.7500	19.05	0.6250	15.88	652	1194	5000	
	B-912	0.5625	14.29	0.7500	19.05	0.7500	19.05	782	1513	5000	M-9121
	BH-98	0.5625	14.29	0.8125	20.64	0.5000	12.70	591	805	7100	
	BH-910	0.5625	14.29	0.8125	20.64	0.6250	15.88	764	1124	7100	
	BH-912	0.5625	14.29	0.8125	20.64	0.7500	19.05	928	1441	7100	

Bore	Bearing No.	Fw		D		C		Basic Load Rating		Limiting Speed RPM	Closed End
		inches	mm	inches	mm	inches	mm	Dy- namic lbs.	Static lbs.		
5/8	B-105	0.6250	15.88	0.8125	20.64	0.3118	7.92	294	445	4500	
	B-107	0.6250	15.88	0.8125	20.64	0.4382	11.13	465	798	4500	M-1071
	B-108	0.6250	15.88	0.8125	20.64	0.5000	12.70	542	973	4500	M-1081
	B-1010	0.6250	15.88	0.8125	20.64	0.6250	15.88	690	1326	4500	
	B-1012	0.6250	15.88	0.8125	20.64	0.7500	19.05	830	1682	4500	M-10121
	BH-108	0.6250	15.88	0.8750	22.22	0.5000	12.70	627	895	6300	MH-1081
	BH-1010	0.6250	15.88	0.8750	22.22	0.6250	15.88	814	1243	6300	
	BH-1012	0.6250	15.88	0.8750	22.22	0.7500	19.05	987	1603	6300	
	BH-1016	0.6250	15.88	0.8750	22.22	1.0000	25.40	1311	2315	6300	
	11/16	B-116	0.6875	17.46	0.8750	22.22	0.3750	9.52	402	681	4000
B-118		0.6875	17.46	0.8750	22.22	0.5000	12.70	571	1072	4000	
B-1110		0.6875	17.46	0.8750	22.22	0.6250	15.88	726	1461	4000	M-11101
B-1112		0.6875	17.46	0.8750	22.22	0.7500	19.05	872	1850	4000	M-11121
BH-1117		0.6875	17.46	0.9375	23.81	0.4382	11.13	558	789	6000	
BH-1110		0.6875	17.46	0.9375	23.81	0.6250	15.88	859	1374	6000	MH-11101
BH-1112	0.6875	17.46	0.9375	23.81	0.7500	19.05	1043	1762	6000		
3/4	B-126	0.7500	19.05	1.0000	25.40	0.3750	9.52	472	652	5300	
	B-128	0.7500	19.05	1.0000	25.40	0.5000	12.70	697	1077	5300	M-1281
	B-1210	0.7500	19.05	1.0000	25.40	0.6250	15.88	901	1499	5300	M-12101
	B-1212	0.7500	19.05	1.0000	25.40	0.7500	19.05	1095	1924	5300	M-12121
13/16	B-136	0.8125	20.64	1.0625	26.99	0.3750	9.52	492	706	5000	
	B-138	0.8125	20.64	1.0625	26.99	0.5000	12.70	728	1167	5000	M-1381
	B-1314	0.8125	20.64	1.0625	26.99	0.8750	22.22	1335	2540	5000	
	B-1316	0.8125	20.64	1.0625	26.99	1.0000	25.40	1520	3012	5000	M-13161
	BH-1310	0.8125	20.64	1.1250	28.58	0.6250	15.88	971	1463	6000	
BH-1312	0.8125	20.64	1.1250	28.58	0.7500	19.05	1200	1922	6000		
7/8	B-146	0.8750	22.22	1.1250	28.58	0.3750	9.52	513	760	4800	
	B-148	0.8750	22.22	1.1250	28.58	0.5000	12.70	758	1257	4800	
	B-1412	0.8750	22.22	1.1250	28.58	0.7500	19.05	1191	2246	4800	M-14121
	B-1416	0.8750	22.22	1.1250	28.58	1.0000	25.40	1583	3237	4800	M-14161
	B-1418	0.8750	22.22	1.1250	28.58	1.1250	28.58	1767	3732	4800	
	BH-1410	0.8750	22.22	1.1875	30.16	0.6250	15.88	1005	1580	5600	
	BH-1412	0.8750	22.22	1.1875	30.16	0.7500	19.05	1243	2075	5600	
BH-1416	0.8750	22.22	1.1875	30.16	1.0000	25.40	1682	3057	5600		
13/16	B-158	0.9375	23.81	1.1875	30.16	0.5000	12.70	787	1347	4500	
	B-1516	0.9375	23.81	1.1875	30.16	1.0000	25.40	1641	3462	4500	M-15161
1	B-166	1.0000	25.40	1.2500	31.75	0.6250	9.52	551	870	4000	
	B-167	1.0000	25.40	1.2500	31.75	0.4382	11.13	686	1151	4000	
	B-168	1.0000	25.40	1.2500	31.75	0.5000	12.70	814	1436	4000	
	B-1610	1.0000	25.40	1.2500	31.75	0.6250	15.88	1054	2003	4000	

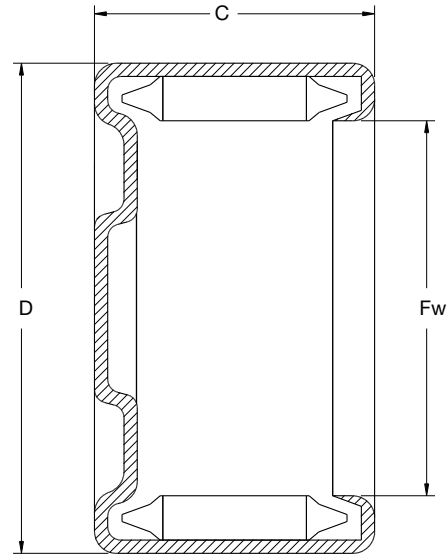
Needle Roller Bearings

B, BH...M, MH SERIES

Drawn Cup Full Complement



B BH



M MH

Bore	Bearing No.	Fw		D		C		Basic Load Rating		Limiting Speed RPM	Closed End
		inches	mm	inches	mm	inches	mm	Dy- namic lbs.	Static lbs.		
1	B-1612	1.0000	25.40	1.2500	31.75	0.7500	19.05	1279	2563	4000	M-16121
	B-1616	1.0000	25.40	1.2500	31.75	1.0000	25.40	1699	3709	4000	M-16161
	BH-168	1.0000	25.40	1.3125	33.34	0.5000	12.70	809	1236	5000	MH-1681
	BH-1610	1.0000	25.40	1.3125	33.34	0.6250	15.88	1086	1803	5000	
	BH-1612	1.0000	25.40	1.3125	33.34	0.7500	19.05	1342	2360	5000	MH-16121
	BH-1616	1.0000	25.40	1.3125	33.34	1.0000	25.40	1819	3507	5000	MH-16161
	BH-1620	1.0000	25.40	1.3125	33.34	1.2500	31.75	2270	4631	5000	
	BH-1624	1.0000	25.40	1.3125	33.34	1.5000	38.10	2675	5755	5000	
1 1/16	B-1710	1.0625	26.99	1.3125	33.34	0.6250	15.88	1088	2129	4000	
1 1/8	B-186	1.1250	28.58	1.3750	34.92	0.3750	9.52	587	978	3800	
	B-188	1.1250	28.58	1.3750	34.92	0.5000	12.70	865	1616	3800	
	B-1812	1.1250	28.58	1.3750	34.92	0.7500	19.05	1362	2900	3800	
	B-1816	1.1250	28.58	1.3750	34.92	1.0000	25.40	1810	4159	3800	M-18161
	BH-1812	1.1250	28.58	1.5000	38.10	0.7500	19.05	1556	2585	5300	
	BH-1816	1.1250	28.58	1.5000	38.10	1.0000	25.40	2118	3844	5300	
	BH-1820	1.1250	28.58	1.5000	38.10	1.2500	31.75	2653	5148	5300	
1 3/16	B-1916	1.1875	30.16	1.5000	38.10	1.0000	25.40	1992	4159	4300	
1 1/4	B-208	1.2500	31.75	1.5000	38.10	0.5000	12.70	917	1796	3400	
	B-2010	1.2500	31.75	1.5000	38.10	0.6250	15.88	1187	2495	3400	
	B-2012	1.2500	31.75	1.5000	38.10	0.7500	19.05	1441	3214	3400	
	B-2016	1.2500	31.75	1.5000	38.10	1.0000	25.40	1913	4631	3400	M-20161
	B-2020	1.2500	31.75	1.5000	38.10	1.2500	31.75	2360	6047	3400	M-20201
	BH-208	1.2500	31.75	1.6250	41.28	0.5000	12.70	944	1421	5000	
	BH-2012	1.2500	31.75	1.6250	41.28	0.7500	19.05	1630	2855	5000	
	BH-2016	1.2500	31.75	1.6250	41.28	1.0000	25.40	2228	4271	5000	MH-20161
	BH-2020	1.2500	31.75	1.6250	41.28	1.2500	31.75	2788	5710	5000	MH-20201
	1 5/16	B-218	1.3125	33.34	1.6250	41.28	0.5000	12.70	940	1623	4000
B-2110	1.3125	33.34	1.6250	41.28	0.6250	15.88	1259	2360	4000		
B-2120	1.3125	33.34	1.6250	41.28	1.2500	31.75	2630	6115	4000		
1 3/8	B-228	1.3750	34.92	1.6250	41.28	0.5000	12.70	962	1976	3000	
	B-2212	1.3750	34.92	1.6250	41.28	0.7500	19.05	1513	3529	3000	
	B-2216	1.3750	34.92	1.6250	41.28	1.0000	25.40	2012	5103	3000	
	B-2220	1.3750	34.92	1.6250	41.28	1.2500	31.75	2473	6654	3000	
	BH-2210	1.3750	34.92	1.7500	44.45	0.6250	15.88	1445	2383	4500	
	BH-2212	1.3750	34.92	1.7500	44.45	0.7500	19.05	1747	3170	4500	
	BH-2216	1.3750	34.92	1.7500	44.45	1.0000	25.40	2383	4699	4500	
	BH-2220	1.3750	34.92	1.7500	44.45	1.2500	31.75	2967	6296	4500	

Bore	Bearing No.	Fw		D		C		Basic Load Rating		Limiting Speed RPM	Closed End
		inches	mm	inches	mm	inches	mm	Dy- namic lbs.	Static lbs.		
1 1/2	B-248	1.5000	38.10	1.8750	47.62	0.5000	12.70	1075	1760	4000	
	B-2410	1.5000	38.10	1.8750	47.62	0.6250	15.88	1461	2608	4000	
	B-2412	1.5000	38.10	1.8750	47.62	0.7500	19.05	1819	3462	4000	
	B-2414	1.5000	38.10	1.8750	47.62	0.8750	22.22	2156	4316	4000	
	B-2416	1.5000	38.10	1.8750	47.62	1.0000	25.40	2473	5725	4000	M-24161
	B-2420	1.5000	38.10	1.8750	47.62	1.2500	31.75	3102	6856	4000	M-24201
1 5/8	B-268	1.6250	41.28	2.0000	50.80	0.5000	12.70	1106	1886	3800	
	B-2610	1.6250	41.28	2.0000	50.80	0.6250	15.88	1508	2810	3800	
	B-2616	1.6250	41.28	2.0000	50.80	1.0000	25.40	2563	5575	3800	
1 3/4	B-2620	1.6250	41.28	2.0000	50.80	1.2500	31.75	3215	7418	3800	
	B-2812	1.7500	44.45	2.1250	53.98	0.7500	19.05	1947	4024	3600	
	B-2816	1.7500	44.45	2.1250	53.98	1.0000	25.40	2653	6002	3600	M-28161
	B-2820	1.7500	44.45	2.1250	53.98	1.2500	31.75	3327	7980	3600	
1 7/8	B-2824	1.7500	44.45	2.1250	53.98	1.5000	38.10	3956	9959	3600	
	B-308	1.8750	47.62	2.2500	57.15	0.5000	12.70	1209	2201	3400	
	B-3012	1.8750	47.62	2.2500	57.15	0.7500	19.05	2046	4316	3400	
	B-3016	1.8750	47.62	2.2500	57.15	1.0000	25.40	2788	6429	3400	
	B-328	1.8750	50.80	2.3750	60.32	0.5000	12.70	1234	2315	3200	
2 1/16	B-3216	1.8750	50.80	2.3750	60.32	1.0000	25.40	2855	6856	3200	M-32161
	B-3220	1.8750	50.80	2.3750	60.32	1.2500	31.75	3574	9127	3200	
	B-3228	1.8750	50.80	2.3750	60.32	1.7500	44.45	4900	3067	3200	M-32281
	BH-3312	2.0625	52.39	2.5311	64.29	0.7500	19.05	2270	4271	4000	
2 1/8	BH-3316	2.0625	52.39	2.5311	64.29	1.0000	25.40	3192	6609	4000	
	B-348	2.1250	53.98	2.5000	63.50	0.5000	12.70	1270	2473	3100	
	B-3416	2.1250	53.98	2.5000	63.50	1.0000	25.40	2945	7284	3100	
	B-3424	2.1250	53.98	2.5000	63.50	1.5000	38.10	4384	12116	3100	
	B-3612	2.2500	57.15	2.6250	66.68	0.7500	19.05	2220	2698	3000	
2 1/4	B-3620	2.2500	57.15	2.6250	66.68	1.2500	31.75	3889	5350	3000	
	B-3624	2.2500	57.15	2.6250	66.68	1.5000	38.10	4608	6677	3000	
2 5/8	B-4216	2.6250	66.68	3.0000	76.20	1.0000	25.40	3327	4631	2500	M-42161
2 3/4	B-4410	2.7500	69.85	3.1250	79.38	0.6250	15.88	2018	2450	2500	
	B-4416	2.7500	69.85	3.1250	79.38	1.0000	25.40	3439	4856	2500	
	B-4420	2.7500	69.85	3.1250	79.38	1.2500	31.75	4271	6452	2500	